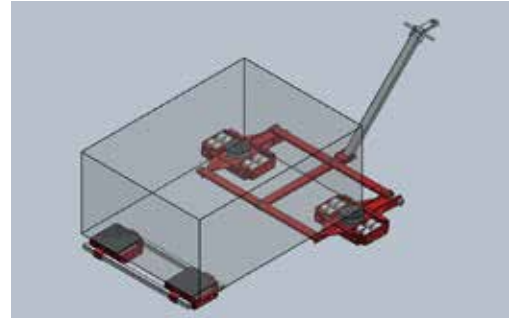




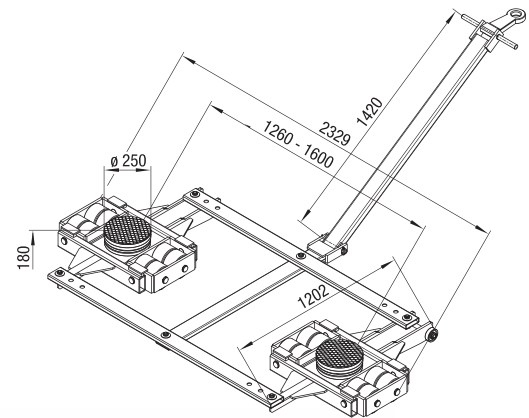
Tandem Dolly TL40

Features:

- Designed for when 4 points of support are required
- Swivel plates to help maneuver the load
- Can be paired with a regular F dolly, or with another TL dolly when a small turn radius is desired



Technical data	TL40
Item number	5-11148
Loading height / number of wheels (140x85 mm)	7.1" / 8 180 mm / 8
2 swivel plates ø 170 mm, steering angle	± 45°
Overall dimensions (L x W)	47.3 x 91.7" / 1202 x 2329 mm
Adjustable width	50 - 63" / 1260 x 1600 mm
Steering rod with eye for pulling	55.9" / 1420 mm
Tare weight	578 lbs. / 260 kg
Load Capacity	88,000 lbs. / 400 kN (40 t)



Need higher capacity?
Call us at 937-324-8867 to see how we can help!

