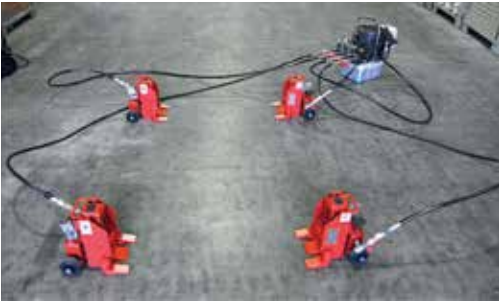


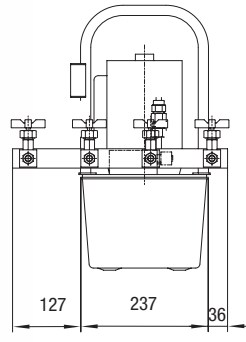
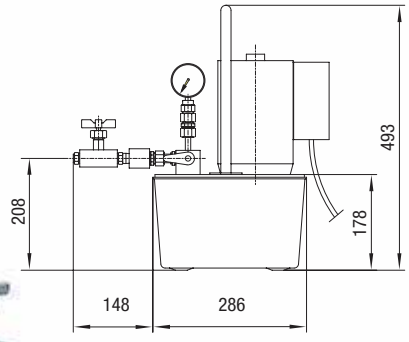
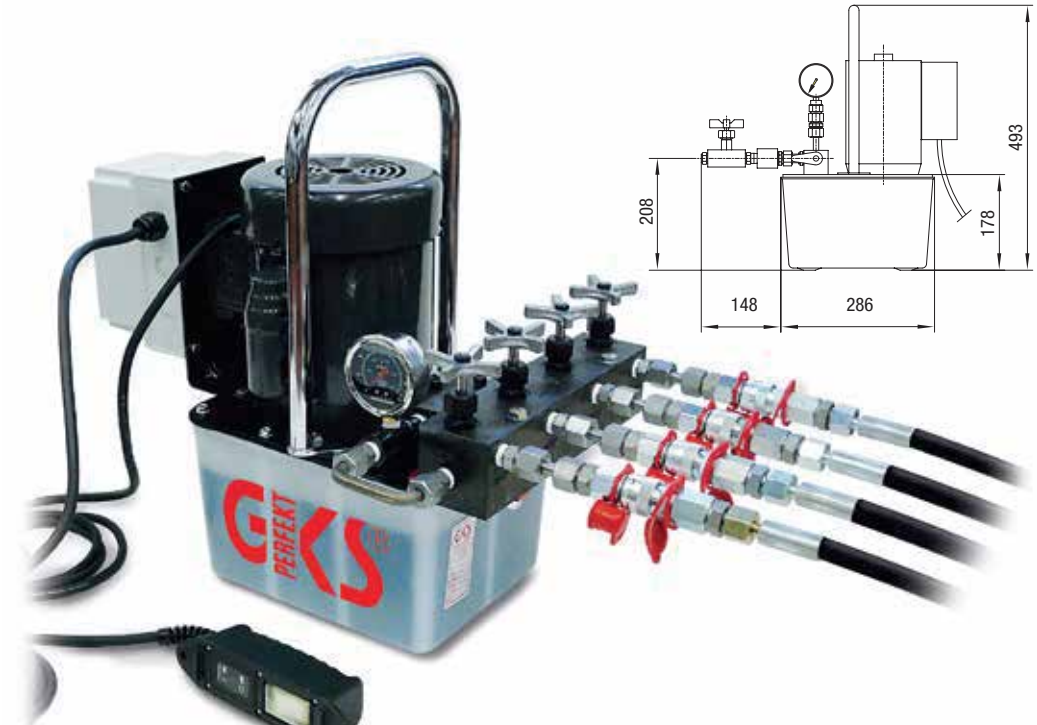


## Electric Pump PE4

- Features:**
- Like PE2, but with 4-way manifold and 4 x 3 m hoses
  - Operate up to 4 jacks at once



Technical data	PE4
Item number	2-13592
Working pressure (preset)	7,542psi / 520 bar
Flow rate stage 1 per lift	0.67 gal/min @ 102 psi 2,5 ltr/min @ 7 bar
Flow rate stage 2 per lift	0.08 gal/min @ 7,542 psi 0,3 ltr/min @ 520 bar
Tank capacity	1.27 gal / 4,8 l
Overall dimensions (L x W x H)	17.1 x 15.7 x 19.4" / 434 x 400 x 493 mm
Weight with oil without hoses	97 lbs. / 44 kg
Hydraulic hoses (10 " / 3 m), - with quick-release fastener	4 hoses
For GKS toe jack models	4x V5, V5-EX, V10, V10-EX, V15, V15-EX, V15-EX-270, V20, V20-EX, G5, G10, 2x V30-EX
Electric connection	120 V/60 Hz



- Contents
- Hydraulic Toe Jacks
- Pumps
- Transport Dollies
- Rotating Dollies
- ROBOTS
- Rollers
- Nickel Plated Equipment